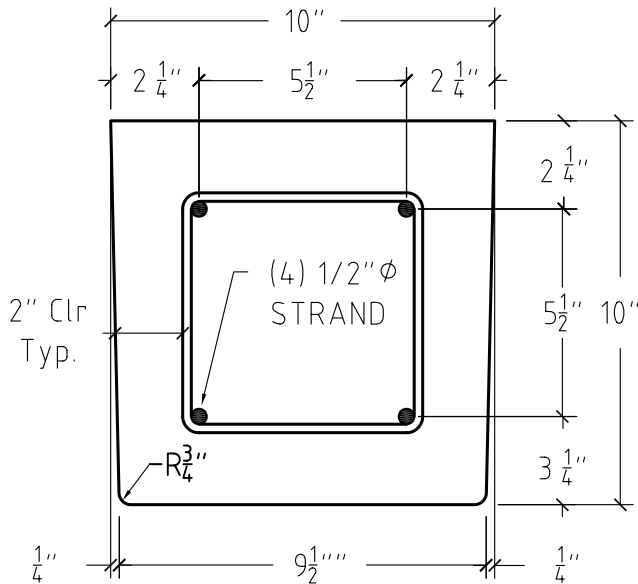
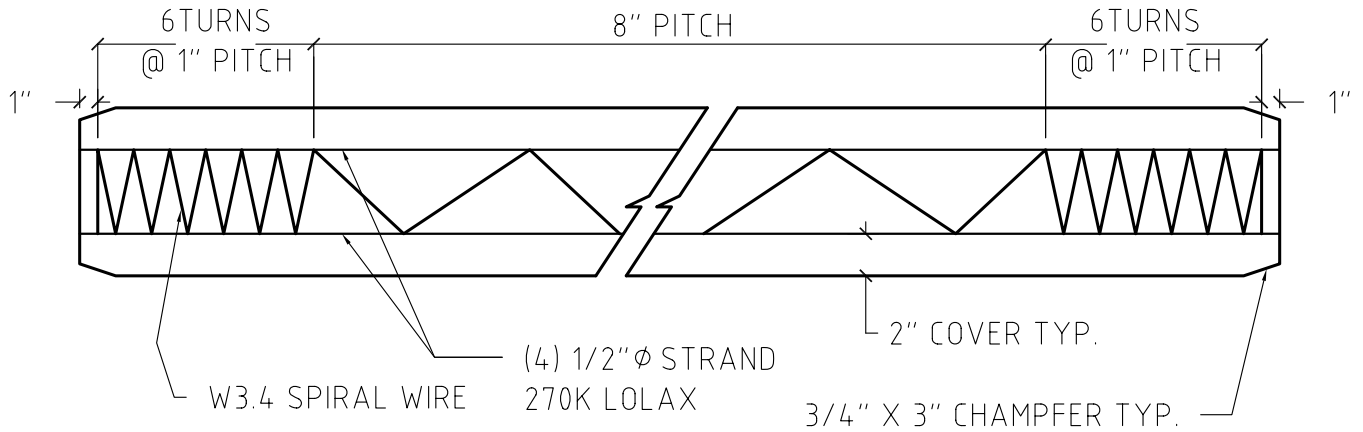


# 4 Strand

# 10" - COMMERCIAL PILE

# 5,000 PSI



DESIGN IN ACCORDANCE WITH  
PCI HANDBOOK 4th EDITION 4.7.6

LOAD (TONS)	ALLOWABLE MOMENT FT-K
0	14.7
10	17.5
20	10.8

UNIT DESIGN IS BASE ON UNSUPPORTED LENGTH OF 10.1 FEET OR LESS

**SECTION PROPERTIES:**

NOMINAL PILE SIZE: 10" X 10" AREA: 100 SQ. IN.  
APPROXIMATE WT./FT. : 104 LBS S: 167 IN<sup>3</sup>

**SPECIFICATIONS:**

CONCRETE: MIN. CYLINDER STRENGTH @ RELEASE = 3,250 PSI  
MIN. CYLINDER STRENGTH @ DRIVING = 5,000 PSI

STEEL: STRAND = 1/2 DIA. 270K LOW RELAXATION STRAND  
7 WIRE - UNCOATED  
4 - 1/2" DIA/ STRANDS  $f_{pc}$  = 773 PSI (ACTUAL)  
PULL TO 23.30 K + ADJUSTMENTS  
SPIRAL = W3.4 (5 GAUGE) HARD DRAWN WIRE, UNCOATED

FLORIDA BUILDING CODE SECTION 1810.3 PRESTRESSED PILES  
DESIGN:  $f_{pc}$  = 700 PSI (REQUIRED)

SPIRAL WIRE, PICK POINTS & DUNNAGE SPECIFICATIONS PER FDOT INDEX 600 SHEET 1

**CAPACITY:**

MAXIMUM FULLY DRIVEN LOAD N  $f_{pc}$  BASED UPON ALLOWABLE STRESS  
PER FBC SECTION 1810.3.3 = 72 TONS  
ALLOWABLE TENSION ONLY = 52.7 TONS

S&S PROJECT #	PROJECT	SHEET CONTENTS			
REVISION	<p>S &amp; S PRECAST</p> <p>P.O. BOX 366098 BONITA SPRINGS, FL 34136</p> <p>(239) 992-8685 FAX: (239) 992-9226</p>		<p><b>STANDARD 10" PILING</b></p>		
		DWN JSS			
		CHK'D JSS	DATE		SHEET NUMBER 1