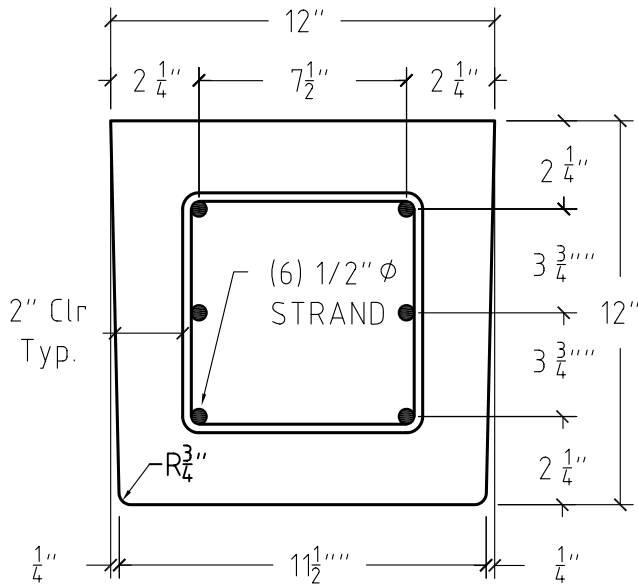
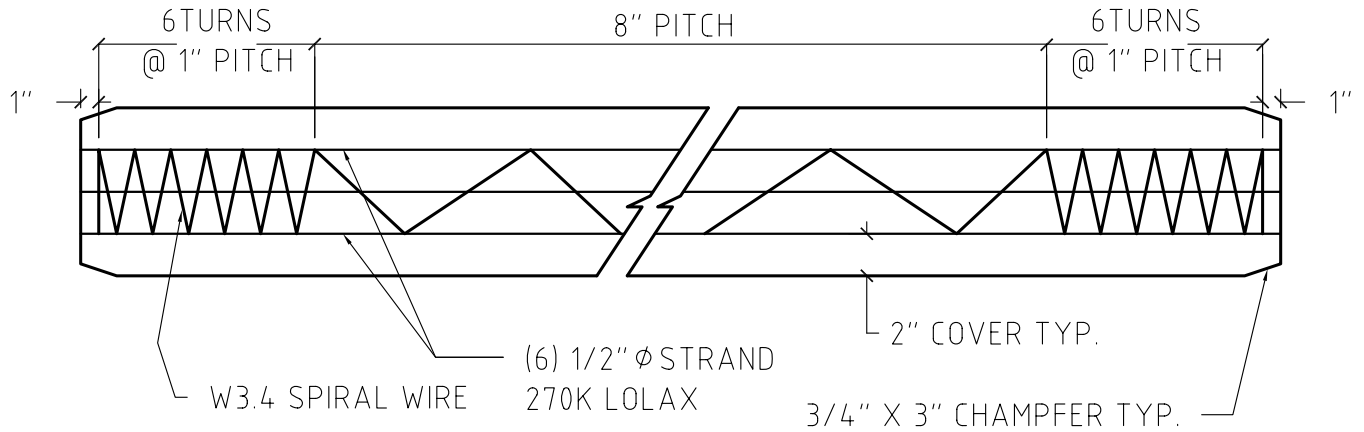


6 Strand

12" - COMMERCIAL PILE

5,000 PSI



DESIGN IN ACCORDANCE WITH
PCI HANDBOOK 4th EDITION 4.7.6

LOAD (TONS)	ALLOWABLE MOMENT FT-K
0	30.4
10	24.7
20	19.6

UNIT DESIGN IS BASE ON UNSUPPORTED LENGTH
OF 10.1 FEET OR LESS

SECTION PROPERTIES:

NOMINAL PILE SIZE: 12" X 12" AREA: 144 SQ. IN.
APPROXIMATE WT./FT. : 150 LBS S: 288 IN³

SPECIFICATIONS:

CONCRETE: MIN. CYLINDER STRENGTH @ RELEASE = 3,250 PSI
MIN. CYLINDER STRENGTH @ DRIVING = 5,000 PSI
STEEL: STRAND = 1/2 DIA. 270K LOW RELAXATION STRAND
7 WIRE - UNCOATED
4 - 1/2" DIA/ STRANDS $f_{pc} = 1431$ PSI (ACTUAL)
PULL TO 30.0 K + ADJUSTMENTS
SPIRAL = W3.4 (5 GAUGE) HARD DRAWN WIRE, UNCOATED
FLORIDA BUILDING CODE SECTION 1810.3 PRESTRESSED PILES
DESIGN: $f_{pc} = 700$ PSI (REQUIRED)
SPIRAL WIRE, PICK POINTS & DUNNAGE SPECIFICATIONS PER FDOT INDEX 600 SHEET 1

CAPACITY:

MAXIMUM FULLY DRIVEN LOAD $N = f_{pc}$ BASED UPON ALLOWABLE STRESS
PER FBC SECTION 1810.3.3 = 91.0 TONS
ALLOWABLE TENSION ONLY = 123.0 TONS

S&S PROJECT #	PROJECT	SHEET CONTENTS			
REVISION	<p>S & S PRECAST P.O. BOX 366098 BONITA SPRINGS, FL 34136 (239) 992-8685 FAX: (239) 992-9226</p>		<p>STANDARD 12" PILING</p>		
		DWN JSS	DATE	SCALE N/A	
		CHK'D JSS	DATE		SHEET NUMBER