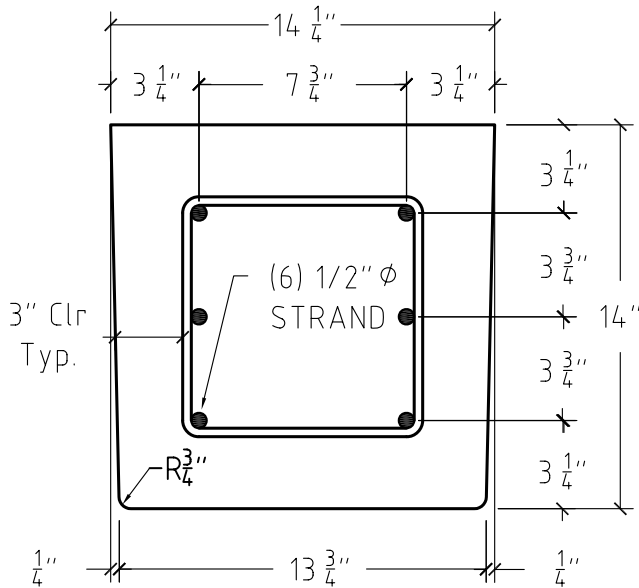
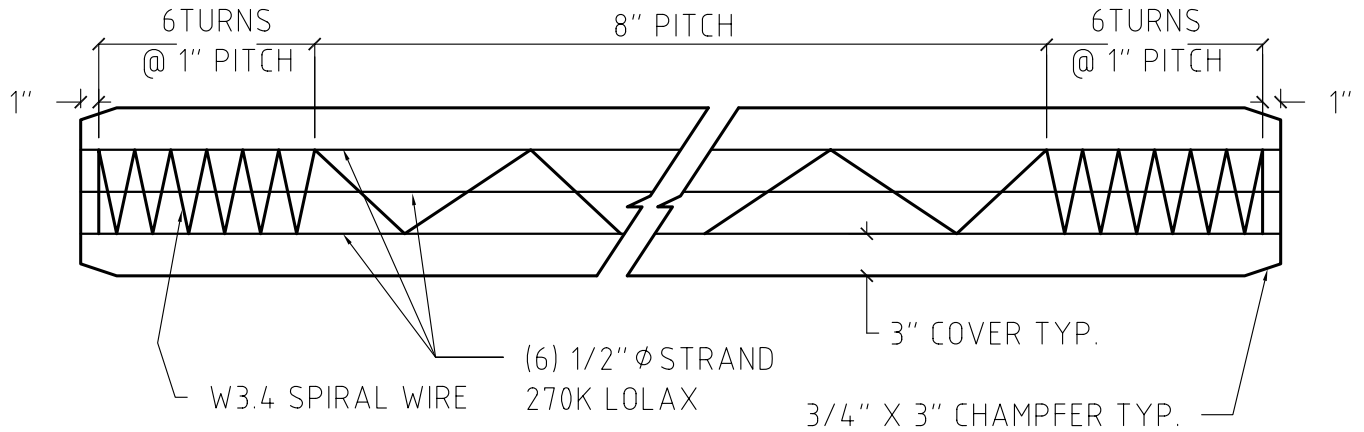


6 Strand

14" - COMMERCIAL PILE

5,000 PSI



DESIGN IN ACCORDANCE WITH
PCI HANDBOOK 4th EDITION 4.7.6

LOAD (TONS)	ALLOWABLE MOMENT FT-K
0	40.7
10	44.2
20	41.0
30	34.6

UNIT DESIGN IS BASE ON UNSUPPORTED LENGTH OF 14.1 FEET OR LESS

SECTION PROPERTIES:

NOMINAL PILE SIZE: 14" X 14" AREA: 196 SQ. IN.
APPROXIMATE WT./FT. : 200 LBS S: 457 IN³

SPECIFICATIONS:

CONCRETE: MIN. CYLINDER STRENGTH @ RELEASE = 3,250 PSI
MIN. CYLINDER STRENGTH @ DRIVING = 5,000 PSI

STEEL: STRAND = 1/2 DIA. 270K LOW RELAXATION STRAND
7 WIRE - UNCOATED
6 - 1/2" DIA/ STRANDS f_{pc} = 789 PSI (ACTUAL)
PULL TO 30K + ADJUSTMENTS
SPIRAL = W3.4 (5 GAUGE) HARD DRAWN WIRE, UNCOATED

FLORIDA BUILDING CODE SECTION 1810.3 PRESTRESSED PILES
DESIGN: f_{pc} = 700 PSI (REQUIRED)

SPIRAL WIRE, PICK POINTS & DUNNAGE SPECIFICATIONS PER FDOT INDEX 600 SHEET 1

CAPACITY:

MAXIMUM FULLY DRIVEN LOAD $N = f_{pc}$ BASED UPON ALLOWABLE STRESS
PER FBC SECTION 1810.3.3 = 141 TONS
ALLOWABLE TENSION ONLY = 104.8 TONS

S&S PROJECT #	PROJECT	SHEET CONTENTS			
REVISION	S & S PRECAST P.O. BOX 366098 BONITA SPRINGS, FL 34136 (239) 992-8685 FAX: (239) 992-9226	STANDARD 14" PILING			
		CHK'D JSS	DATE	SHEET NUMBER	