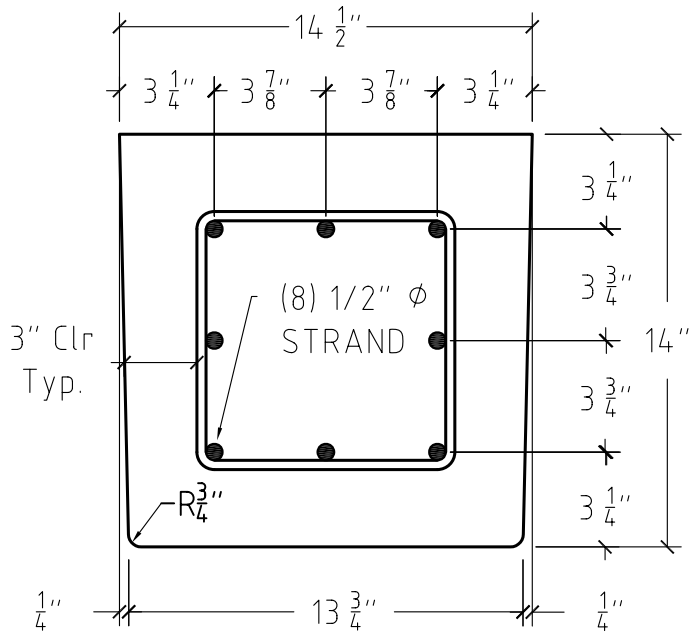
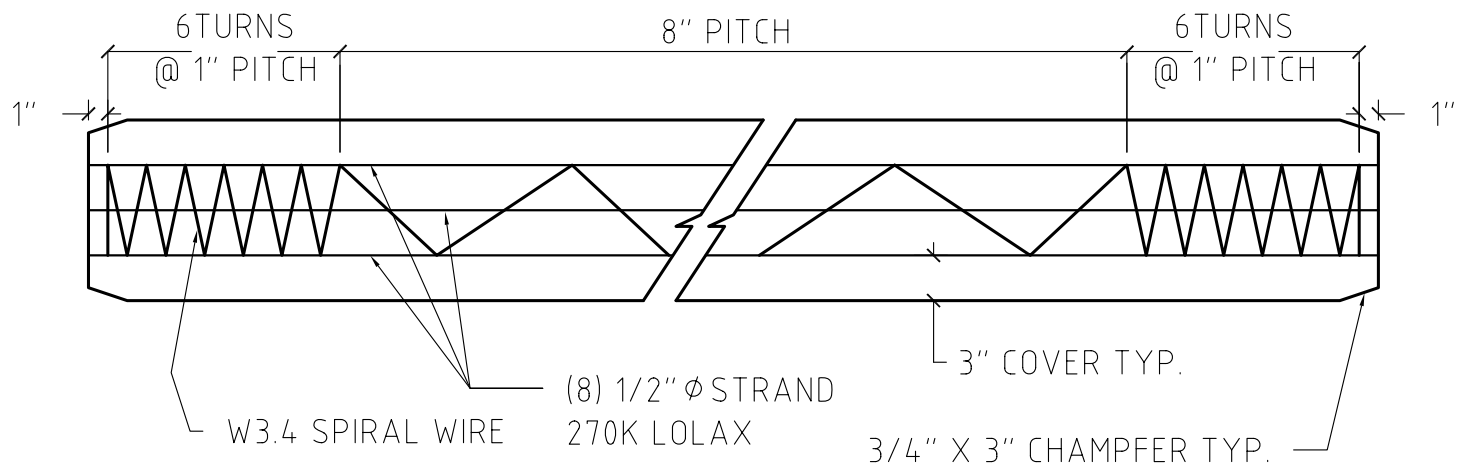


8 Strand

14" - COMMERCIAL PILE

5,000 PSI



DESIGN IN ACCORDANCE WITH
PCI HANDBOOK 4th EDITION 4.7.6

LOAD (TONS)	ALLOWABLE MOMENT FT-K
0	45.6
20	32.2
40	21.1

UNIT DESIGN IS BASE ON UNSUPPORTED LENGTH
OF 14.1 FEET OR LESS

SECTION PROPERTIES:

NOMINAL PILE SIZE: 14" X 14" AREA: 196 SQ. IN.
APPROXIMATE WT./FT. : 200 LBS S: 457 IN³

SPECIFICATIONS:

CONCRETE: MIN. CYLINDER STRENGTH @ RELEASE = 3,250 PSI
MIN. CYLINDER STRENGTH @ DRIVING = 5,000 PSI
STEEL: STRAND = 1/2 DIA. 270K LOW RELAXATION STRAND
7 WIRE - UNCOATED
8 - 1/2" DIA/ STRANDS $f_{pc} = 1052$ PSI (ACTUAL)
PULL TO 30K + ADJUSTMENTS
SPIRAL = W3.4 (5 GAUGE) HARD DRAWN WIRE, UNCOATED
FLORIDA BUILDING CODE SECTION 1810.3 PRESTRESSED PILES
DESIGN: $f_{pc} = 700$ PSI (REQUIRED)
SPIRAL WIRE, PICK POINTS & DUNNAGE SPECIFICATIONS PER FDOT INDEX 600 SHEET 1

CAPACITY:

MAXIMUM FULLY DRIVEN LOAD $N f(f_{pc})$ BASED UPON ALLOWABLE STRESS
PER FBC SECTION 1810.3.3 = 133.9 TONS
ALLOWABLE TENSION ONLY = 130.6 TONS

S&S PROJECT #	PROJECT	SHEET CONTENTS			
REVISION	<p>S & S PRECAST P.O. BOX 366098 BONITA SPRINGS, FL 34136 (239) 992-8685 FAX: (239) 992-9226</p>		<p>STANDARD 14" PILING</p>		
<p>THIS DRAWING IS NOT IN THE PUBLIC DOMAIN. IT IS THE EXCLUSIVE PROPERTY OF S&S AND IS MADE AVAILABLE FOR USE IN CONNECTION WITH SAID JOB. REPRODUCTION WITHOUT APPROVAL IS PROHIBITED</p>		<p>DWN JSS</p>			
		<p>CHK'D JSS</p>	<p>DATE</p>		<p>SHEET NUMBER</p>