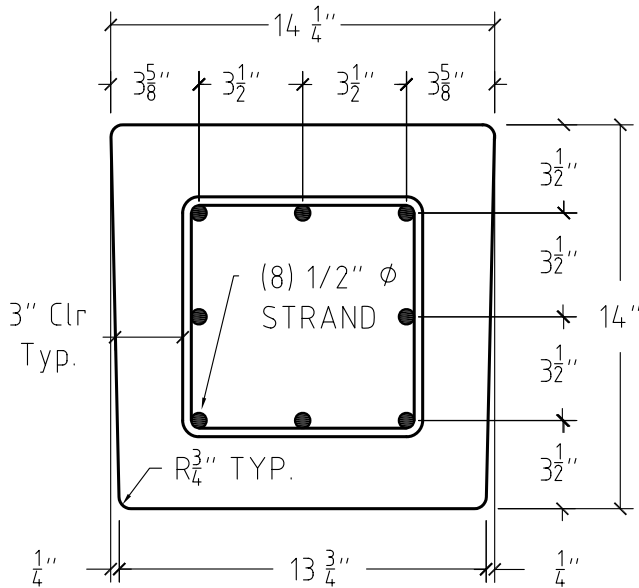
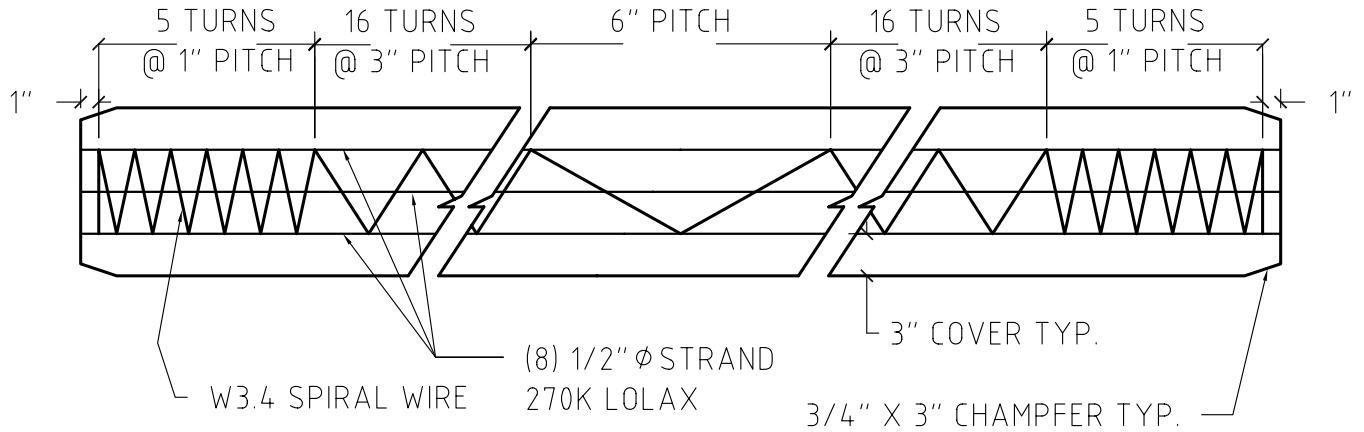


8 Strand

14" - FDOT DESIGN PILE

6,000 PSI



DESIGN IN ACCORDANCE WITH
PCI HANDBOOK 4th EDITION 4.7.6

LOAD (TONS)	ALLOWABLE MOMENT FT-K
0	51.8
10	55.7
20	48.3
30	42.2

UNIT DESIGN IS BASE ON UNSUPPORTED LENGTH OF 14.1 FEET OR LESS

NOTE:
THIS DESIGN IS IN ACCORDANCE WITH THE FDOT INDEX 20600 & 20614

SECTION PROPERTIES:

NOMINAL PILE SIZE: 14" X 14" AREA: 196 SQ. IN.
APPROXIMATE WT./FT. : 200 LBS S: 457 IN³

SPECIFICATIONS:

CONCRETE: MIN. CYLINDER STRENGTH @ RELEASE = 4,000 PSI
MIN. CYLINDER STRENGTH @ DRIVING = 6,000 PSI
STEEL: STRAND = 1/2 DIA. 270K LOW RELAXATION STRAND
7 WIRE - UNCOATED
8 - 1/2" DIA/ STRANDS $f_{pc} = 1052$ PSI (ACTUAL)
PULL TO 31K + ADJUSTMENTS
SPIRAL = W3.4 (5 GAUGE) HARD DRAWN WIRE, UNCOATED
FLORIDA BUILDING CODE SECTION 1810.3 PRESTRESSED PILES
DESIGN: $f_{pc} = 700$ PSI (REQUIRED)
SPIRAL WIRE, PICK POINTS & DUNNAGE SPECIFICATIONS PER FDOT INDEX 600 SHEET 1

CAPACITY:

MAXIMUM FULLY DRIVEN LOAD $N = f_{pc}$ BASED UPON ALLOWABLE STRESS
PER FBC SECTION 1810.3.3 = 166.2 TONS
ALLOWABLE TENSION ONLY = 133.3 TONS

S&S PROJECT #	PROJECT	SHEET CONTENTS			
REVISION	<p>S & S PRECAST P.O. BOX 366098 BONITA SPRINGS, FL 34136 (239) 992-8685 FAX: (239) 992-9226</p>		<p>FDOT DESIGN 14" PILING</p>		
THIS DRAWING IS NOT IN THE PUBLIC DOMAIN. IT IS THE EXCLUSIVE PROPERTY OF S&S AND IS MADE AVAILABLE FOR USE IN CONNECTION WITH SAID JOB. REPRODUCTION WITHOUT APPROVAL IS PROHIBITED		DWN JSS	DATE	SCALE N/A	SHEET NUMBER
		CHK'D JSS	DATE		